

## General Setup Instructions

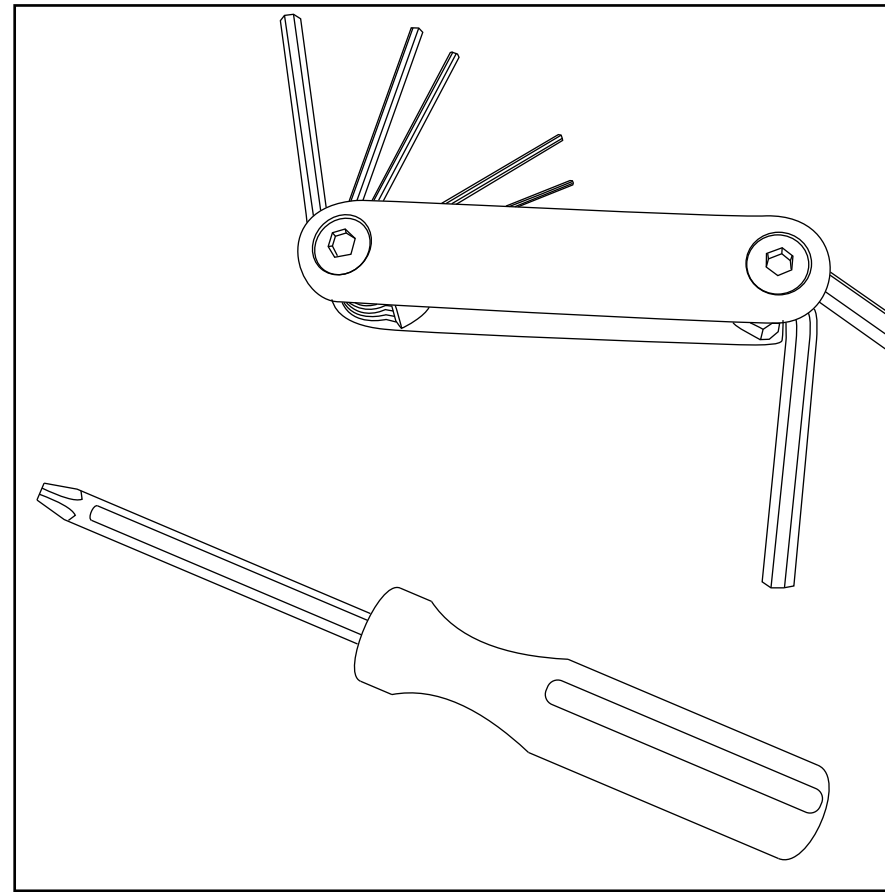
- The setup instructions are created specifically for your configuration.
- Setup instructions are laid out sequentially in levels, including exploded views and a logical series of steps for assembly. We encourage you to study the instructions before attempting to assemble your exhibit.

## Cleaning and Packing

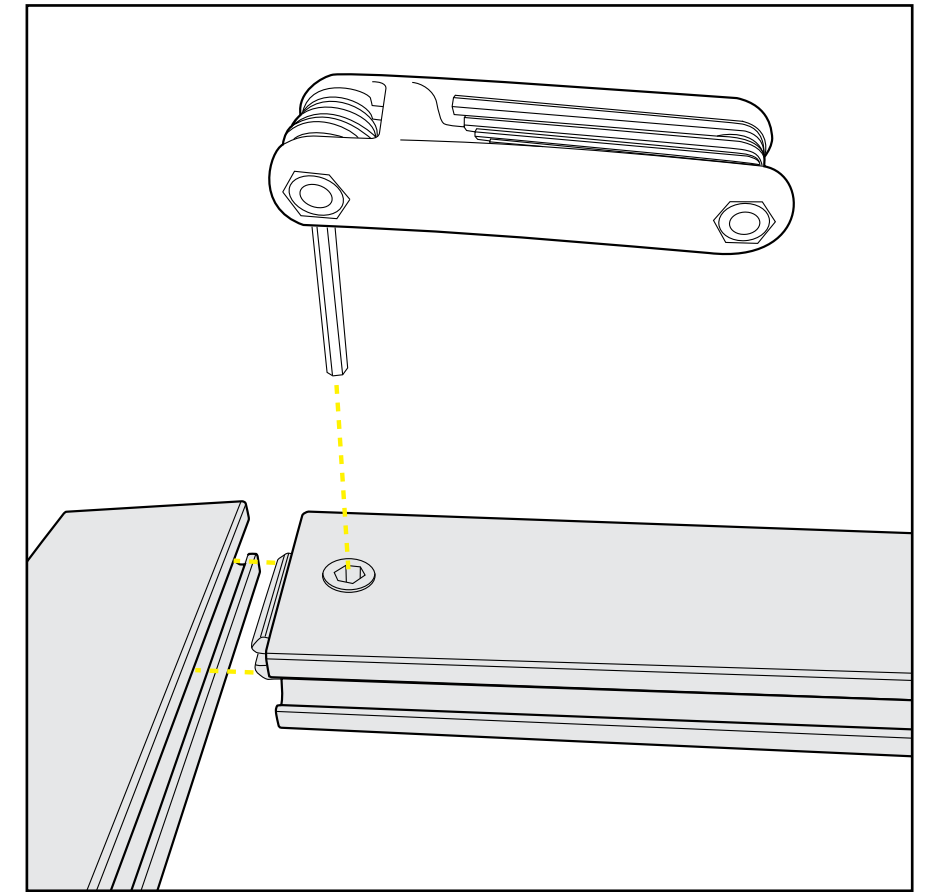
- Use non-abrasive cleaners when cleaning extrusions or ECO Glass inserts.
- Use mild cleaners and soft materials such as cotton to clean all laminates.
- Keep exhibit components away from extreme heat and long exposure to sun light. This will prevent warping and fading.
- Retain all packing material for ease of re-packing. This protects the exhibit components and keeps each part organized.

## Disassembling

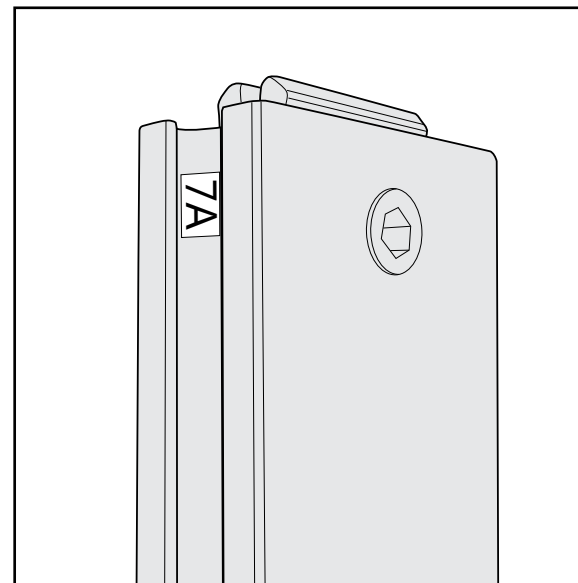
- When disassembling exhibit, tighten all setscrews to prevent loss of hardware in the shipping process.



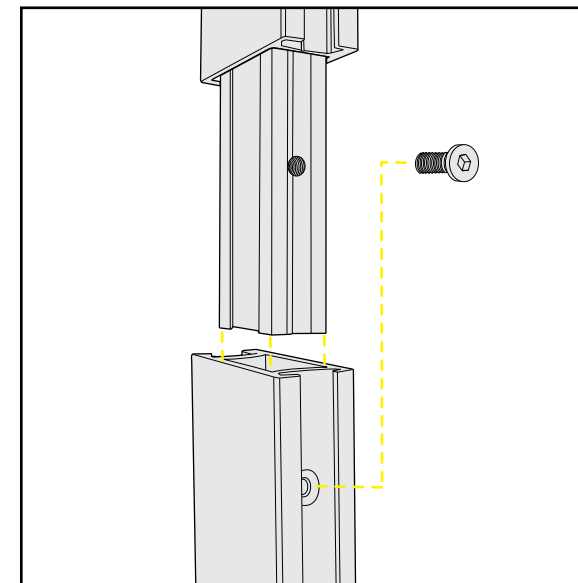
Hex Tool & Phillips Screwdriver are included for Assembling Exhibit



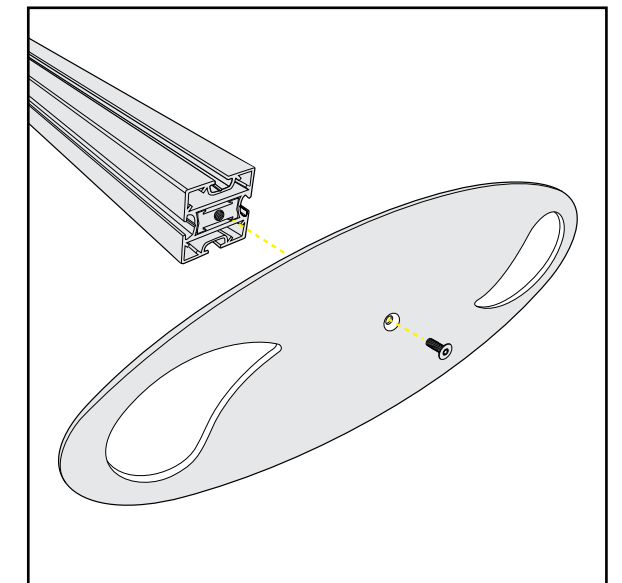
Extrusion Lock Connectors



Numbering Instructions for Setups/Packing



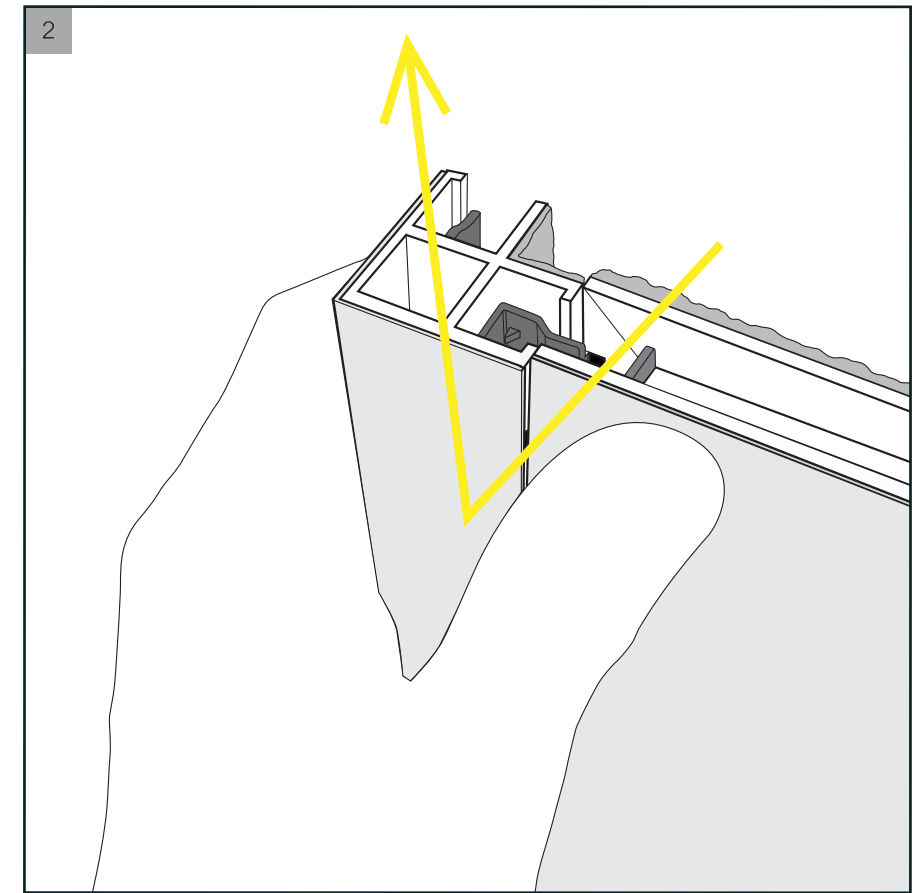
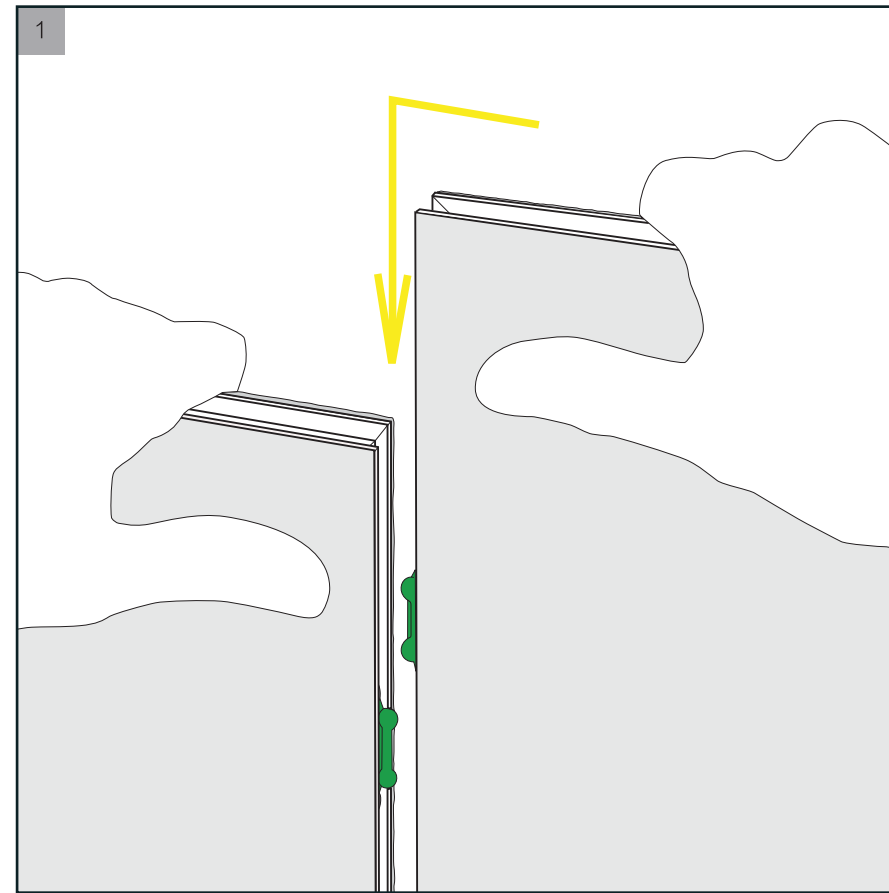
Inline Connection between Extrusions



Baseplate Connection for Vertical Extrusions

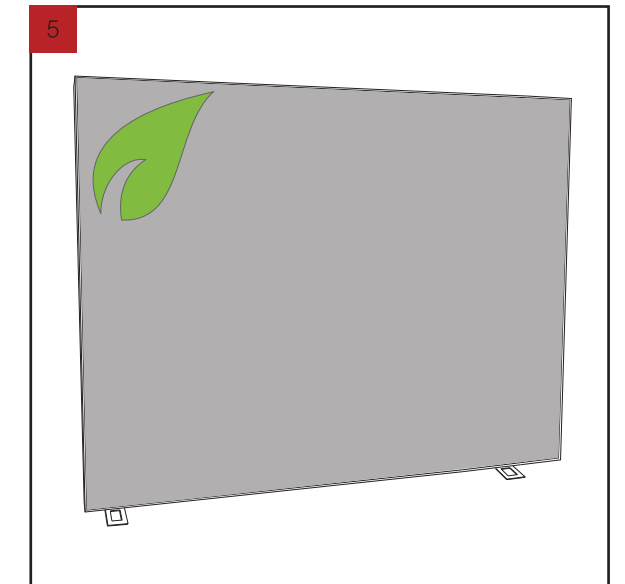
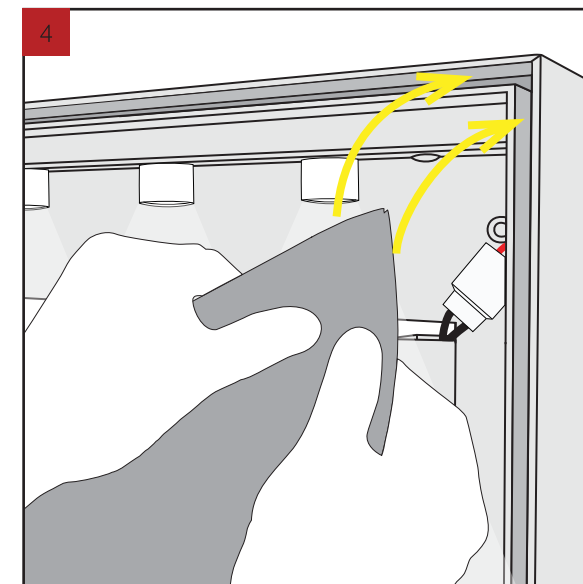
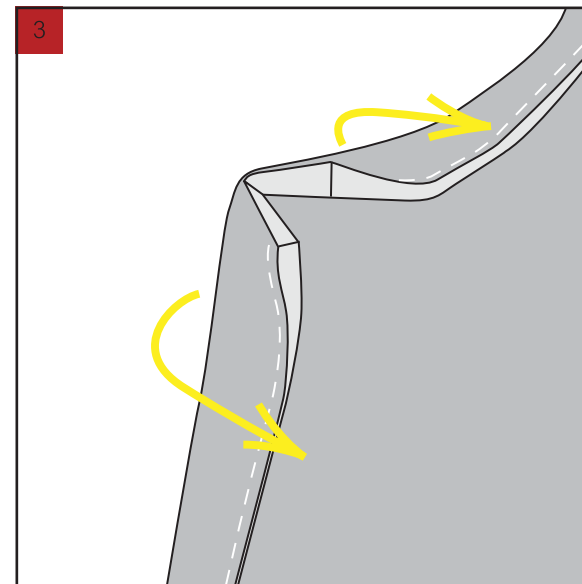
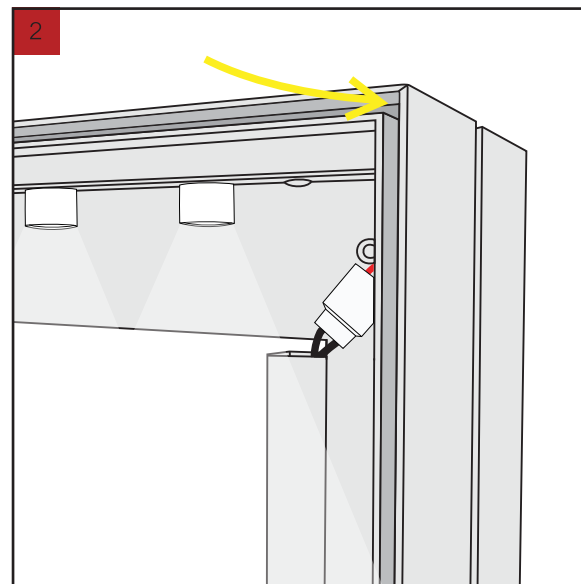
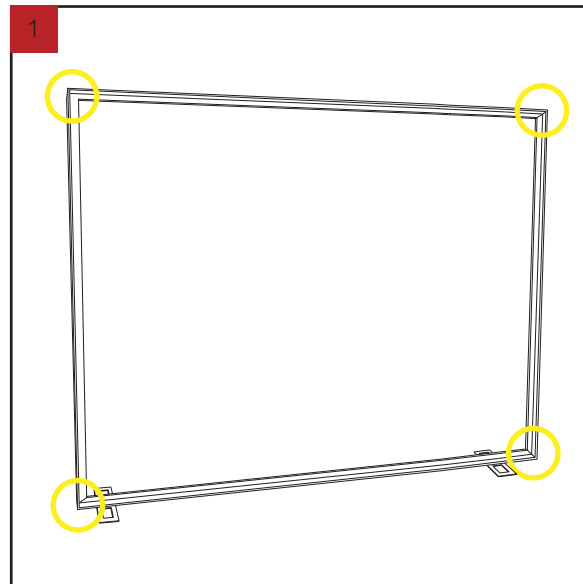
# ECO Panel Install

- 1 Place ECO panel together with a vertical offset, slide down to lock connector in place.
- 2 Panel Corner Connectors are installed just like ECO panels. Remove by off-setting top lock clips horizontally followed by separating vertically.

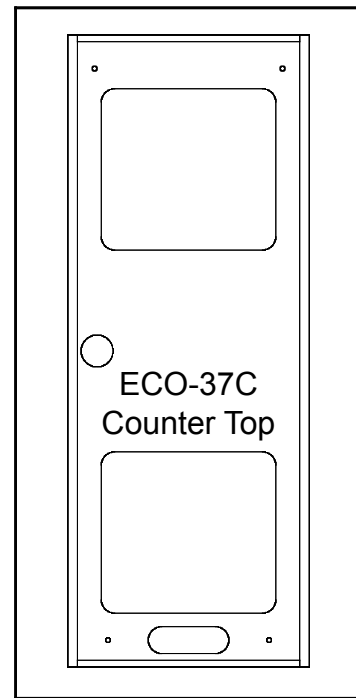


# SEG Graphic Install

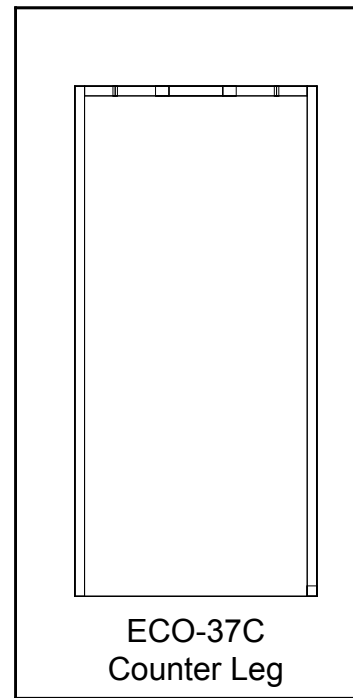
- 1 Graphic is installed corners first. This allows a proportional fit around the perimeter of the extrusion.
- 2 Locate channels along the edge of the extrusions.
- 3 Fold over graphic (hiding threads) and tuck silicon edge and fabric into corners.
- 4 After corners are complete, slide in the rest of the graphic into channel. (From edges to center)
- 5 Graphic is installed. Stand back and be amazed!



## Top View of Each Level



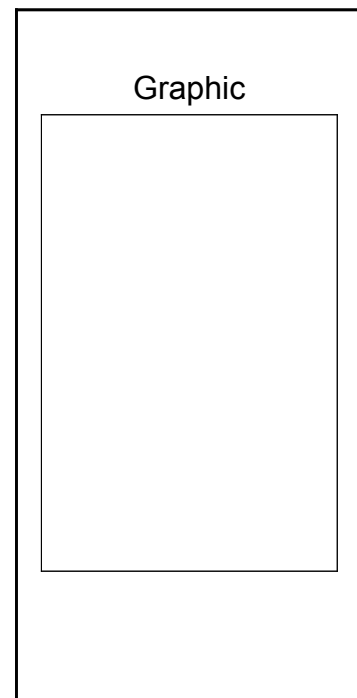
Level 1  
(Bottom level)



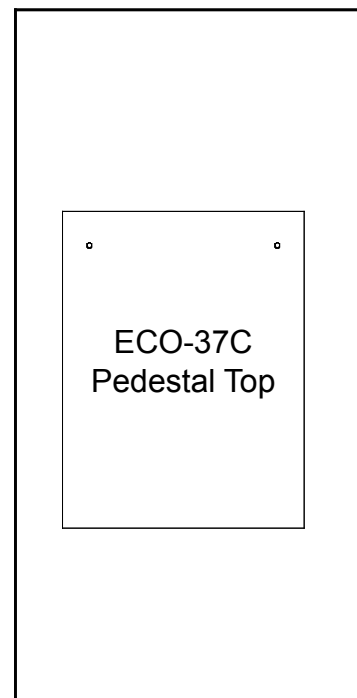
Level 2  
(Top level)



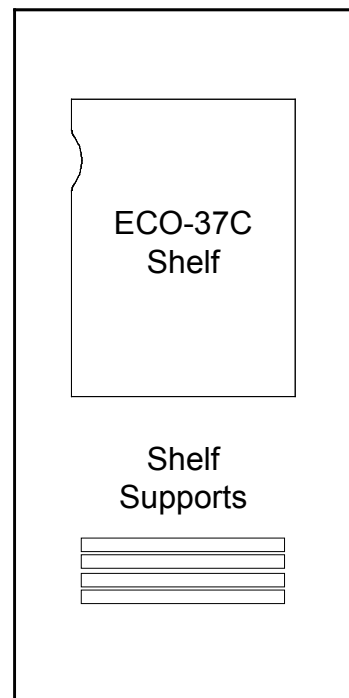
## Top View of Each Level



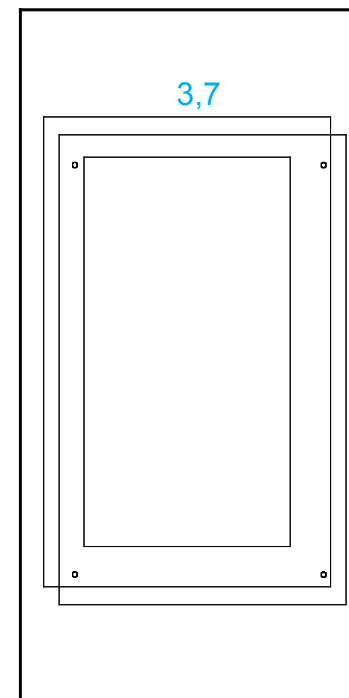
Level 1  
(Bottom level)



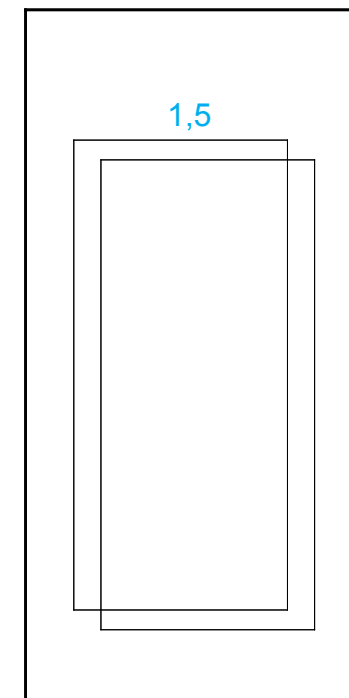
Level 2



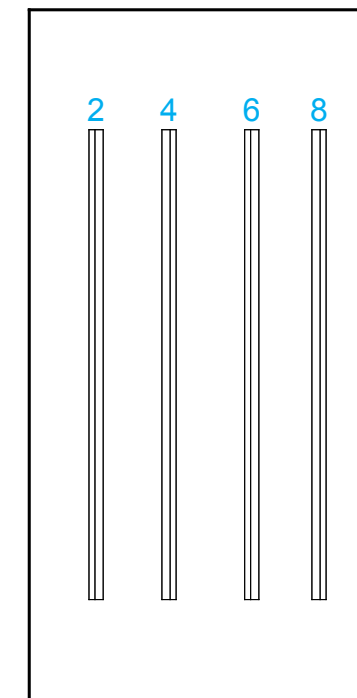
Level 3



Level 4



Level 5



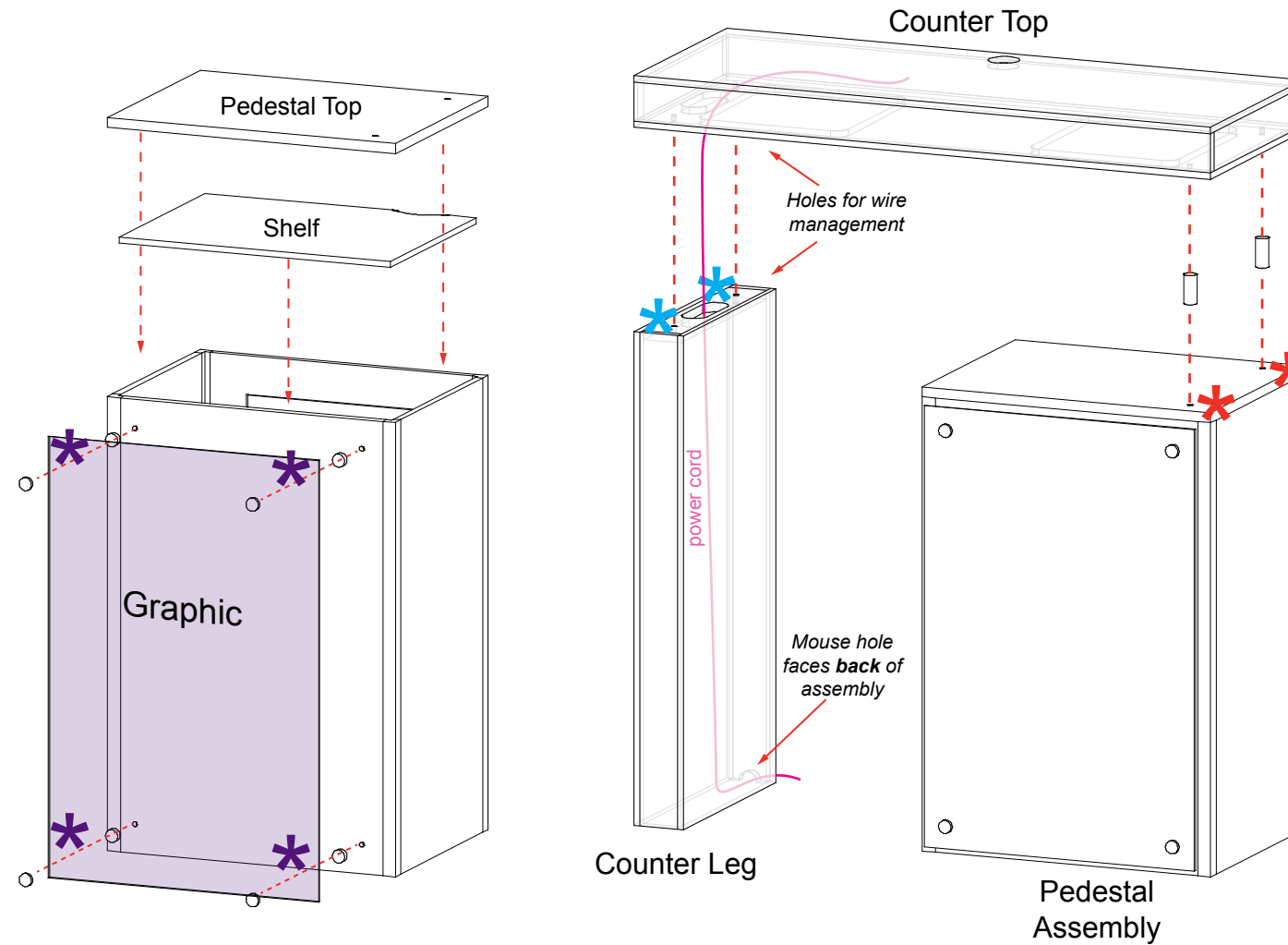
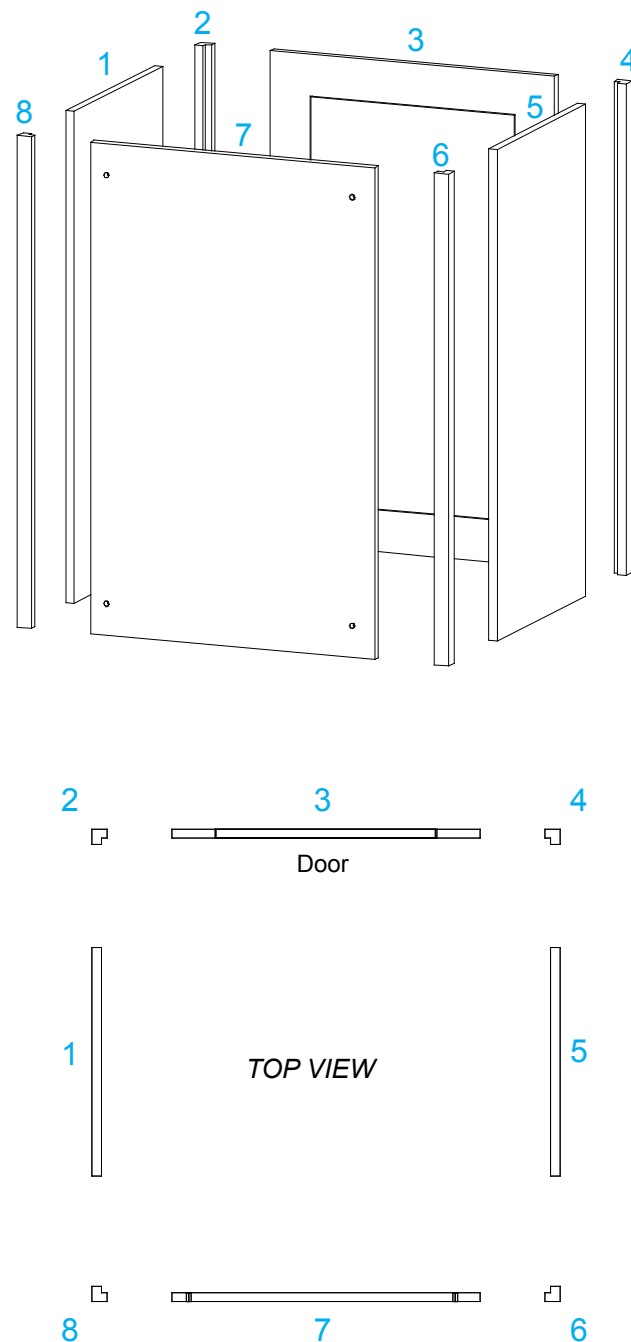
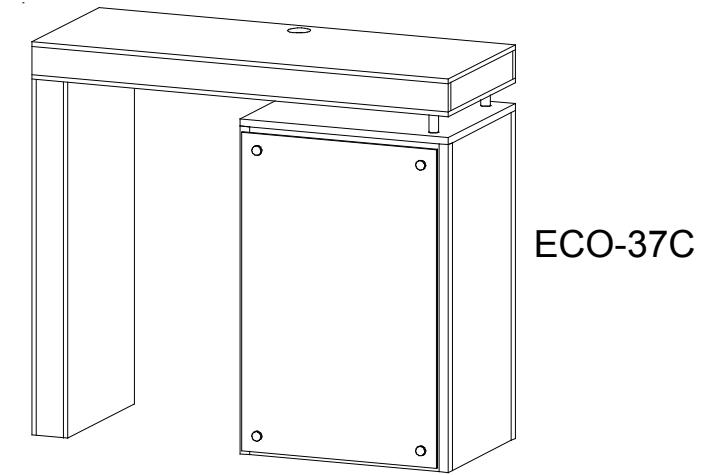
Level 6  
(Top level)

Item	Qty.	Description
1	1	15.888”w x 35”h ECO Panel
2	1	35”h 90° Connector
3	1	21.388”w x 35”h ECO Panel w/ Door
4	1	35”h 90° Connector
5	1	15.888”w x 35”h ECO Panel
6	1	35”h 90° Connector
7	1	21.388”w x 35”h ECO Panel
8	1	35”h 90° Connector

Steps:

Refer to the ECO Panel Assembly Instructions general information page.

- 1) Assemble ECO panels & connectors [1] through [8] together in numerical order.
- 2) Affix Shelf Supports to inside of panel assembly; place internal Shelf.
- 3) Place pedestal top onto assembled base.
- 4) Attach Graphic to front of pedestal assembly. See [Graphic Attachment](#) detail.
- 5) Connect Leg to Counter Top. See [Counter Top w/ Threaded Stud Attachment](#) detail.
- 2) Connect Counter Top to assembled pedestal.  
See [Counter Top w/ Standoff Barrel Attachment](#) detail.



When assembled

**\* Counter Top w/ Threaded Stud Attachment**

Insert threaded stud into nut sert on top of Counter Leg. Twist to secure in place.

Place holes on bottom of Counter Top over threaded stud & secure using wing nuts.

Use access hole under Counter Top when attaching wing nuts.

**\* Counter Top w/ Standoff Attachment**

Attach standoff barrels to nutserts in top of Pedestal.

Then connect Counter Top to standoff barrels using wing nuts.

Use access hole under Counter Top when attaching wing nuts.

**\* Graphic Attachment**

Attach stand-off barrel to panel using screw from inside pedestal assembly. Then attach graphic to stand-off using screw caps.

Note: Phillips screwdriver required for installation